

COBRA HD

Non-mydratic fundus camera

INSTRUCTIONS FOR USE



COSTRUZIONE STRUMENTI OFTALMICI

Via degli Stagnacci 12/E | 50018 Scandicci (FI) | ITALY
phone: +39 055 722191 | fax: +39 055 721557

cso@csoitalia.it | www.csoitalia.it

1	INTRODUCTION	3
1.1	SYMBOLS	3
1.1.1	<i>Device symbols</i>	<i>4</i>
1.2	GENERAL WARNINGS	4
1.3	NORMATIVE REFERENCES	5
1.3.1	<i>Community directives</i>	<i>5</i>
1.3.2	<i>Technical standards</i>	<i>5</i>
1.3.3	<i>Quality management systems standards</i>	<i>5</i>
1.4	WARRANTY	6
1.5	MANUFACTURER IDENTIFICATION	7
2	SAFETY	8
2.1	SAFETY WARNINGS	8
2.2	DEVICE IDENTIFICATION	10
2.2.1	<i>Registration data in the Medical Devices List</i>	<i>10</i>
2.2.2	<i>Device data plate</i>	<i>10</i>
2.2.3	<i>Power supply data plate</i>	<i>11</i>
2.3	INTENDED USE	12
2.4	MEDICAL DEVICES CLASSIFICATION	14
2.5	MEDICAL ELECTRICAL DEVICES CLASSIFICATION	15
2.6	ENVIRONMENTAL CONDITIONS	15
2.7	DISPOSAL AT THE END THE USEFUL LIFE	16
2.8	MANUFACTURER DECLARATIONS	18
2.8.1	<i>Electromagnetic emissions</i>	<i>18</i>
3	DEVICE DESCRIPTION	22
3.1	PROVISION DESCRIPTION	22
3.1.1	<i>Device Cobra HD</i>	<i>24</i>
3.1.2	<i>Power supply</i>	<i>26</i>
3.1.3	<i>Chin rest</i>	<i>27</i>
3.1.4	<i>Electric table (optional)</i>	<i>28</i>
3.2	TECHNICAL DATA	29
4	DEVICE USE	30
4.1	HOW TO INSTALL THE DEVICE	30
4.2	HOW TO CONNECT THE DEVICE	32
4.3	HOW TO PLACE THE ELECTRIC CABLES	34
4.4	HOW TO TURN ON THE DEVICE	35
4.5	ADJUST THE CHIN REST	36
4.6	HOW TO CAPTURE THE IMAGE	38
4.7	HOW TO CHANGE THE PAPER FOR CHIN CUP	40
4.8	HOW TO TURN OFF THE DEVICE	41
5	ORDINARY MAINTENANCE	42
5.1	SAFETY WARNINGS	42











5.2	DEVICE CLEANING	42
5.3	SPARE PARTS AND ACCESSORIES LIST	43
5.4	TROUBLESHOOTING	44

1 INTRODUCTION

The device is the result of a long research period, conducted by experts to give the product technical innovation, quality and design. The device can be easily used thanks to the guided manual capture and the electronic control of all the functions of the device.

1.1 SYMBOLS



Within the instructions for use, on the package or on the device, there can be the following symbols:

Symbol	Meaning
	Caution
	Warning, electricity
	Read the instructions for use
	General mandatory action sign
	Note. Useful information for the user
	General prohibition sign
	Manufacturer
	CE Marking (Directive 93/42/EEC) Identification number of the notified body (IMQ)



Waste disposal in compliance with the Directive 2012/19/EU (WEEE), and 2011/65/EU (RoHS II)

1.1.1 DEVICE SYMBOLS

Symbol	Meaning
	Type B applied part
	Class II equipment

1.2 GENERAL WARNINGS

THESE INSTRUCTIONS FOR USE REFER TO THE DEVICE COBRA HD("DEVICE" FROM NOW ON).

THE ORIGINAL TEXT IS IN ITALIAN.



Before using the device or if you don't use it since a long time, read these instructions carefully. Read the instructions given in the instructions manual and reported on the device?



Keep this manual close by for future consultation. If you should decide to sell this appliance to other people, remember to also include these instructions, complete and readable



Keep the original box and packaging, as the free-of-charge service does not cover any damage resulting from inadequate packaging of the product when this is sent back to an Authorized Service Center.



Verify the presence of damage signs on the device caused by the transport/storage, before using the device.



It is forbidden to reproduce, totally or partially, texts or images contained in these instructions for use without the written authorization of the Manufacturer.



The Manufacturer reserves himself the right to modify the contents of the instructions for use, without notice.

1.3 NORMATIVE REFERENCES

1.3.1 COMMUNITY DIRECTIVES

- Directive 93/42/EEC and subsequent modifications and integrations concerning medical devices
- Directive 2012/19/EU on waste electrical and electronic equipment (WEEE)

1.3.2 TECHNICAL STANDARDS

- IEC 60601-1: 2005 + A1:2012 - Medical electrical equipment - Part 1: General requirements for basic safety and essential performance
- EC 60601-1-2:2014 Edition 4 Collateral Standard: Electromagnetic disturbances - Requirements and tests
- UNI EN ISO 15004-1:2009 Ophthalmic Instruments. Fundamental requirements and test methods - Part 1: General requirements applicable to all ophthalmic instruments
- UNI EN ISO 15004-2:2007 Ophthalmic Instruments. Fundamental requirements and test methods - Part 2: Light hazard protection
- UNI CEI EN ISO 14971:2012 Medical devices. Application of risk management to medical devices.

1.3.3 QUALITY MANAGEMENT SYSTEMS STANDARDS

- UNI CEI EN ISO 13845:2016 Medical devices. Quality management systems - Requirements for regulatory purposes

1.4 WARRANTY

The Manufacturer is responsible for the device conformity to the Community directive 93/42/EEC as amended by the 2007/47/EC for:

- features
- safety and reliability
- CE marking

The Manufacturer refuses any responsibility for:

- installation and activation not activated in conformity to the indications and the precautions reported in the instructions for use
- use not in compliance with the instructions for use and precautions reported in the instructions for use
- use of accessories or spare parts not provided or suggested by the Manufacturer
- repairs and safety controls not effectuated by expert, qualified, trained and personnel authorized by the Manufacturer
- electrical system of the space where the device is installed not in compliance with the technical standards, the laws and regulations in effect in the country of installation of the device
- direct or indirect consequences or damages to objects or persons, originating from the improper use of the device or erroneous clinical analysis originating from its use

The Manufacturer guarantees the device for 24 months after invoicing. The Warranty includes the substitution, at the Manufacturer's or an Authorized Service Center, of components and materials and the relative labor. The shipping and transport fees are to be paid by the client.

The warranty does not cover:

- reparations of faults originating from natural disasters, mechanical shocks (fall, hit, etc), electrical system faults, negligence, improper use, maintenance or reparations carried out with non-original materials
- any other improper use or not intended by the Manufacturer
- damages caused by service lack or inefficiency, originating by causes or circumstances out of the Manufacturers control

- the parts subject to usage and/or deterioration originating from the normal use and those that might be broken because of an improper use or maintenance carried out by personnel non-authorized by the Manufacturer.

To ask maintenance interventions or to have technical information about the device, address to an Authorized Service Center or directly to the device Manufacturer.



The client will not be refunded for damages originating from the device halt.

1.5 MANUFACTURER IDENTIFICATION

CSO S.r.l.

Costruzione Strumenti Oftalmici

Via degli Stagnacci, 12/E

50018 - Scandicci (FI) - ITALY

phone: +39-055-722191 - fax +39-055-721557

cso@csoitalia.it

www.csoitalia.it

2 SAFETY

2.1 SAFETY WARNINGS

**DANGER**

Electric shock danger. Do not let water fall on the device. Do not immerse the device in water or other liquids.

**DANGER**

Electric shock danger. If the power cables are damaged they must be replaced in an Authorized Service Center to prevent any risk.

**DANGER**

Electric shock danger. Unplug the power cable from the mains socket before disinfecting the device and before any maintenance operation.

**CAUTION**

Do not use the device if visibly damaged. Periodically inspect the device and the connection cables to verify if there are damage signs.

**CAUTION**

Always keep the device out of the reach of children.

**CAUTION**

Danger of device fall. Do not leave free cables which can represent an obstacle or a danger for the patient or the operator.

**CAUTION**

Danger of stumbling and falling. Do not let the power cord or the connection cables free in a place where people could walk.

**CAUTION**

Electric shock risk. Do not touch the power supply cables with wet hands.

**CAUTION**

Electric shock risk. Do not leave the power supply cables in contact with sharp corners or objects. Collect and attach always the power supply cables.

**CAUTION**

If you notice a wired odor or smoke coming out of the device or if it emanates heat, turn it off immediately. Do not keep using a damaged product or a damaged part. Danger of injuries.

**CAUTION**

The electrical net must have a Residual-Current Circuit Breaker ($I_{\Delta n}=30\text{mA}$) Thermal-Magnetic Circuit Breaker ($V_n=230\text{V}$) to protect the device. Place the device in such a way that the power socket is easily accessible.



it is forbidden to carry out any technical operation on the device that is not recalled or described in these instructions for use.



It is forbidden to place the device in humid, dusty places or environments subject to sudden temperature and humidity variations.



It is forbidden to use any extension cable not authorized by the manufacturer.



It is forbidden to use the device outdoors.



The device does not generate and does not receive any electromagnetic interference if it is placed near other electrical appliances. No preventive or corrective actions are required.

2.2 DEVICE IDENTIFICATION

2.2.1 REGISTRATION DATA IN THE MEDICAL DEVICES LIST

CND (national medical devices classification)

Repertoire number (progressive system number attributed to the device)

Market release date

The device registration data can be verified on the Ministero della Salute website on this page:

[Ministero della Salute - Ricerca dispositivi](#)

2.2.2 DEVICE DATA PLATE

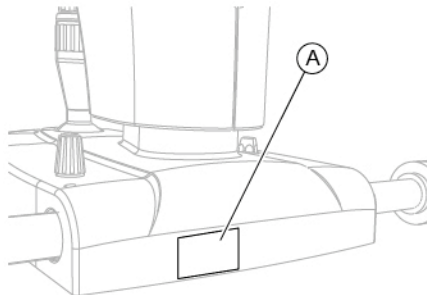


Fig 1 - Plates position

Pos	Description
A	Device data plate

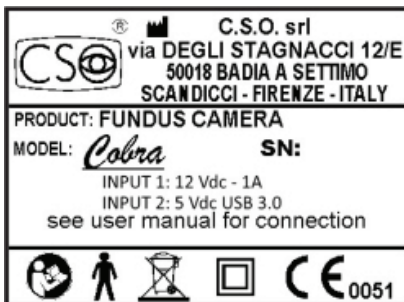


Fig 2 - Device data plate

2.2.3 POWER SUPPLY DATA PLATE



Fig 3 - Power supply PSP2402 data plate



Fig 4 - Power supply PSP2404 data plate

2.3 INTENDED USE

COBRA HD non-mydratiatic Fundus camera is an electro-medical device for the observation of the retinal fundus of the eye.

The device is a non-mydratiatic fundus camera which has been designed for the screening, the capture and the elaboration of an image of the retina in the ophthalmic procedure.

The device provides a clear and detailed vision of the whole image of the eye funds with a real 50° x 45° field of view. The device processes retinal images with a minimum flash exposition, minimizing the discomfort for the patient. The device acquires the image of the retina even when the pupil is constricted.

AVR analysis

The AVR application software allows the measurement of the relationship between the branch arteriolar-venous diameter. A low relationship between the dimension of the vessels, could be predictive of ictus and other cardiovascular events in adult patients.

Meibography

The device allows to analyze the Meibomian glands in a non-invasive method. The miebography is performed through the infrared illumination which enhance the contrast, magnifying the anatomic structure of the glands without causing any discomfort to the patient.

More features of the device with the application software

The device, with the application software allows:

- Guided manual capture
- Management of the patients data and possibility to effectuate personalized researches and statistics
- Simultaneous capture of images in visible light mode and IR mode
- Analysis of panoramic images on large field
- Mosaic function
- Image processing, drawing, measure
- Zoom effects
- Vertical and horizontal cup/disc measurement
- Color control and filters simulation

- retinal image overlap with multifocal ERG
- Edge enhancement
- Contrast and luminance control and control of each RGB component and range correction
- Image in grayscale, ref free, and channel separation
- Image with inverted colors

The device must be used only by practitioners, within the limits of the law and the regulations for the exercise of the profession.

The device must be used in combination with a PC and the application software Phoenix.

System minimum requirements

- PC: 4 GB RAM - Video Card 1 GB RAM (not shared) resolution 1024 x 768 pixels
- Operating system: Windows XP, Windows 7 and Windows 10 (32/64 bit).



Read the instructions for use of the application software.



The PC must be compliant to the norm IEC 60950-1 Information technology equipment - Safety - Part 1: General requirements.

If the PC is installed in the patient area it is necessary to install an isolation electrical supply compliant with the directive IEC 60601-1:2005 + A1:2012- "Medical electrical equipment - Part 1: General requirements for basic safety and essential performance".

It is possible to connect other accessories to the PC (printer, modem, scanner, etc) through the analogical or digital interfaces.

The accessories (printer, modem, scanner, etc) must be installed outside the patient area.



The accessories must be compliant to the norm IEC 60950-1 Information technology equipment - Safety - Part 1: General requirements.

If the accessories are installed in the patient area it is necessary to install an isolation electrical supply compliant with the directive IEC 60601-1:2005 + A1:2102 - "Medical electrical equipment - Part 1: General requirements for basic safety and essential performance".



Patient area: any volume in which intentional or unintentional contact can occur between patient and parts of the system or between patient and other persons touching parts of the system.

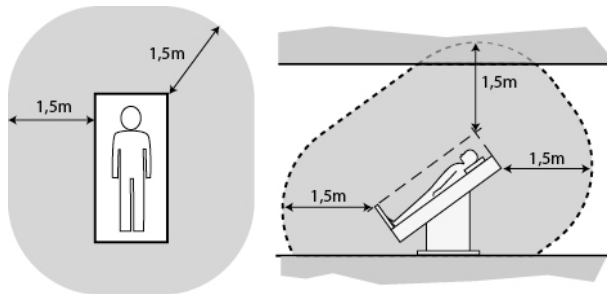


Fig 5 - Patient area

2.4 MEDICAL DEVICES CLASSIFICATION

Technical data	Value
Classification in compliance with the attached IX to the Directive 93/42/EEC and subsequent modifications	Class IIa

2.5 MEDICAL ELECTRICAL DEVICES CLASSIFICATION

Classification in compliance with the technical specification EN 60601-1:2005 + A1:2012

Technical data	Value
Type of protection against the direct and indirect contacts	Class II
Applied parts	Type B
Protection degree against humidity	IP20 (no protection against liquid infiltration)
Sterilization or disinfection method	This device can be disinfected
Protection degree in presence of anesthetics or inflammable detergents	No protection
Electrical connection degree between device and patient	Appliances with part applied on the patient
Use conditions	Continuous functioning

2.6 ENVIRONMENTAL CONDITIONS

Phase	Technical data	Min	Max
Transport	Temperature	-40°C	+70°C
	Atmospheric pressure	500 hPa	1060 hPa
	Relative humidity	10%	95%
Storage	Temperature	-10°C	+55°C
	Atmospheric pressure	700 hPa	1060 hPa
	Relative humidity	10%	95%
Use	Temperature	+10°C	+35°C
	Atmospheric pressure	800 hPa	1060 hPa
	Relative humidity	30%	90%



CAUTION

Danger of device damages. During transport and storage, the device can be exposed to the environmental conditions for a maximum period of 15 weeks, only if kept in the original packaging.

2.7 DISPOSAL AT THE END THE USEFUL LIFE



Instruction for disposal of product correctly according to European Directive 2012/19/EU, and 2011/65/EU about the reduction of use of dangerous substances in the electrical and electronic equipments, and waste disposal.

At the end of its useful life, the device must not be disposed of as urban waste. The device can be delivered to the appropriate separate waste collection centers set up by municipal administrations or to retailers that offer this service. Separately disposing an electrical device prevents possible negative consequences for the environment and health caused by its improper disposal, and lets the materials it is made of to be recycled so as to achieve a significant savings of energy and resources. On the label of the device there is the symbol of the of the crossed-out wheeled bin. The graphic symbol of the crossed-out wheeled bin, indicates the obligation to collect and dispose separately the electrical and electronic equipment at the end of their useful life.



The user has to consider the effects potentially dangerous for the environment and the human health originating from an improper disposal of the whole device or its parts.

In case the user wishes to dispose of the device used at the end of its useful life, the Manufacturer facilitates the possibility of its reuse and the recovery and recycling of the materials contained therein. This to prevent the release of hazardous substances into the environment and to promote conservation of natural resources. Before disposing the device, it is necessary to take into consideration the European and national regulations that order what follows:

- not to dispose as urban waste but collect it separately and address to a firm specialized in the disposal of electrical and electronic equipment or to the local administration in charge for waste collection.

- in the event that a new device is purchased from the same Manufacturer to replace an old one placed on the market before 13 August 2005, equivalent and with the same functions of the new device, the Distributor or Manufacturer are legally required to collect the old device.
- if the user decides to dispose a used device, put on the market after the 13th August 2005, the Distributor or the Manufacturer have to collect it.
- the Manufacturer takes care, by joining a consortium for the technological devices waste, of the treatment and the recycling of the used device by paying its costs.



The Manufacturer is available to give the user all the information about the dangerous substances contained in the device, and on the recycling modalities of those substances and about the possibility of a reuse of the used device.

Strict sanctions for transgressors are provided for by law.

For specific information about the disposal in other countries than Italy, contact the local Dealer.

2.8 MANUFACTURER DECLARATIONS

2.8.1 ELECTROMAGNETIC EMISSIONS

The device is designed to be used in a room with the following electromagnetic characteristics:

Emission test	Compliance	Electromagnetic environment
Radio frequency emission. CISPR 11	Group 1	The device uses radio frequency energy only for its inner functioning. The radio frequency emissions of the device are very low and should not cause interferences with the near appliances.
Radio frequency emission. CISPR 11	Class B	The device can be used in all the environments, included the domestic environment. The device can be connected directly to a low tension power supply net as there is in the housing units.
Harmonic emissions. IEC 61000-3-2	Class A	The device can be used in all the environments, included the domestic environment. The device can be connected directly to a low tension power supply net as there is in the housing units.
Limitation of voltage changes, voltage fluctuations and flicker. IEC 61000-3-3	Compliant	The device can be used in all the environments, included the domestic environment. The device can be connected directly to a low tension power supply net as there is in the housing units.

Immunity test	IEC 60601-1-2 test level	Conformity level	Electromagnetic environment
Electrostatic discharge. IEC 61000-4-2	±6 kV contact. ±8 kV air	±6 kV contact. ±8 kV air	Floors should be wood, concrete or ceramic tile. If the floors are covered with synthetic material the relative humidity should be at least 30%.
Electrical fast transient/burst. IEC 61000-4-4	±2 kV for power supply lines. ±1 kV for input/output lines	±2 kV for power supply lines. Non-applicable	Mains power quality shall be that of a typical commercial or hospital environment.
Surge IEC 61000-4-5	±1 kV differential mode. ±2 kV common mode	±1 kV differential mode. ±2 kV common mode	Mains power quality shall be that of a typical commercial or hospital environment.
Voltage dips. Short interruptions and voltage variations on power supply input lines. IEC 61000-4-11	<5% Un for 0.5 cycles. 40% Un for 5 cycles. 70% Un for 25 cycles. <5% Un for 5 s	<5% Un for 0.5 cycles. 40% Un for 5 cycles. 70% Un for 25 cycles. <5% Un for 5 s	Mains power quality shall be that of a typical commercial or hospital environment. If the user of the device requires continued operation during power mains interruptions, it is recommended that the device is powered from an uninterrupted power supply or battery.

Immunity test	IEC 60601-1-2 test level	Conformity level	Electromagnetic environment
Power frequency (50/60Hz) magnetic fields. IEC 61000-4-8	3 A/m	3 A/m	Power frequency of the magnetic fields should be that of a typical commercial or hospital environment.
RF conducted IEC 61000-4-6	3 Vrms from 150 kHz to 80 MHz	3 Vrms	(1)
RF conducted IEC 61000-4-3	3 V/m from 80 MHz to 2.5 GHz	3 V/m	

(1) Portable and mobile RF communication equipment should be used no closer to any part of the device, including cables, than the recommended separation distance calculated from the equation applicable to the frequency of the transmitter.

$$d=1,167*\sqrt{P}$$

$$d=1,167*\sqrt{P} \text{ 80 MHz to 800 MHz}$$

$$d=2,333*\sqrt{P} \text{ 800 MHz to 2,5 GHz}$$

P: is the maximum output power rating of the transmitter in watts (W) according to the transmitter Manufacturer.

d: is the recommended distance in metres (m) at which the portable radio frequency (RF) appliances can be used.

Field strengths from fixed RF transmitters, as determined by an electromagnetic site survey, should be less than the compliance level in each frequency range. Interference may occur in the vicinity of



equipment marked with the following symbol:



(Un) is the AC mains voltage prior to application of the test level. At 80 MHz and 800 MHz, the higher frequency range applies. These guidelines may not apply in all situations. Electromagnetic propagation is affected by absorption and reflection from structures, objects and people.

3 DEVICE DESCRIPTION

3.1 PROVISION DESCRIPTION

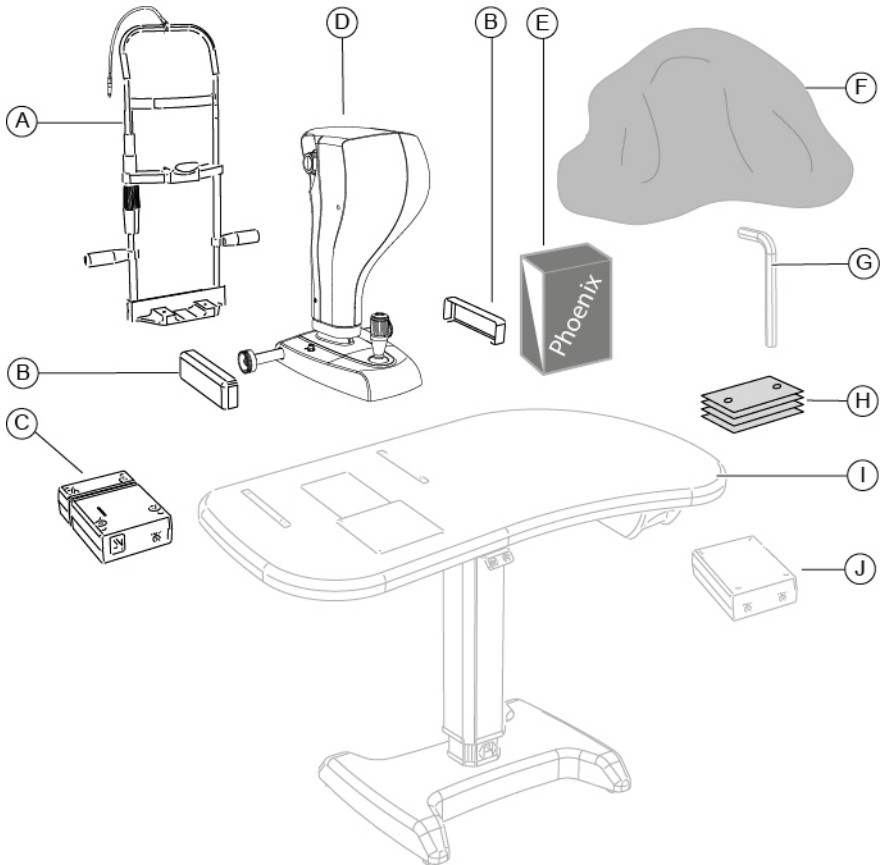


Fig 6 - Provision description

Pos	Denomination	Description
A	Chin rest	Adjustable height Adjustable distance between chin and forehead
B	Protection carter	Protection against accidental hand crushing.
C	Power supply	
D	Device Cobra HD	Composed by a camera unit equipped with micro video camera for capturing the images. USB cable for connection between device and computer.
E	Application software	Application software for image capture and device management.
F	Protective cover	optional Place on the device when it is not in use to protect it from dust.
G	Set of hex keys with screws	optional
H	Package of paper for chin cup	
I	Electric table	optional Adjustable electric support surface with one or two columns. Drawer and auxiliary sockets with fairlead.
J	Isolation transformer	optional 230V/230V for the use of the non electro-medical appliances in the patient area.



For the list of accessories and available models contact the Manufacturer or the local Distributor.

3.1.1 DEVICE COBRA HD

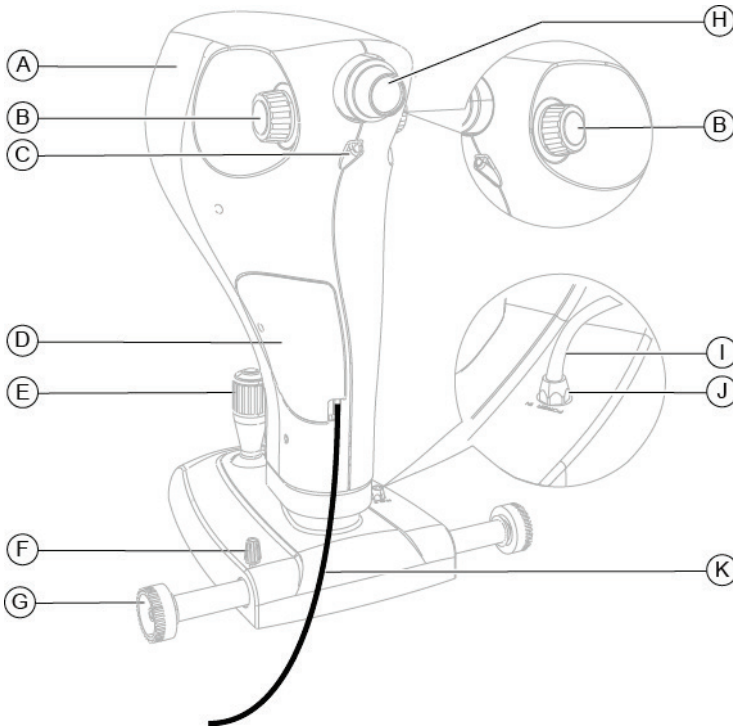


Fig 7 - Device Cobra HD

Pos	Description
A	Device Cobra HD
B	Focus knob
C	LED illuminator
D	USB connector socket cover
E	Joystick
F	Device blocking knob
G	Cogged wheels
H	Shooting channel
I	Device power supply cable
J	Power supply connector
K	USB cable between device and computer

3.1.2 POWER SUPPLY

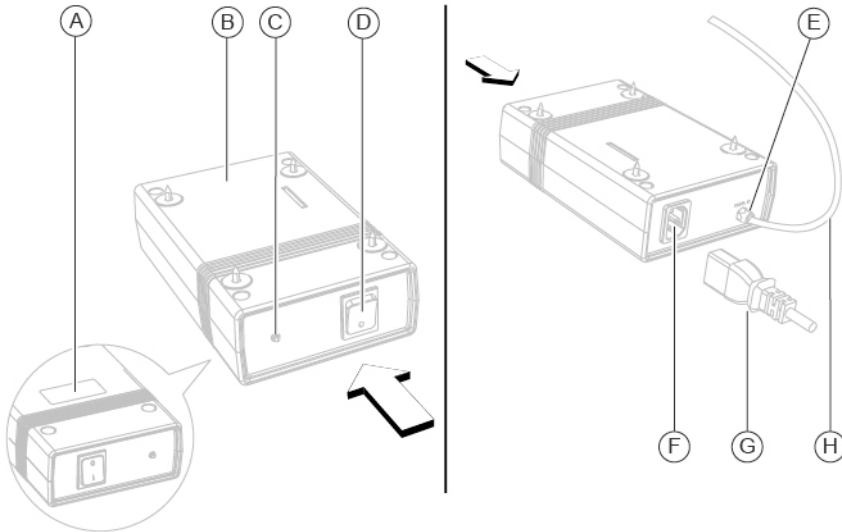


Fig 8 - Power supply

Pos	Description
A	Data plate
B	Power supply
C	Power ON control light
D	ON/OFF switch
E	Power supply out connector
F	Power supply mains connector
G	Power supply cable
H	Device power supply cable

3.1.3 CHIN REST

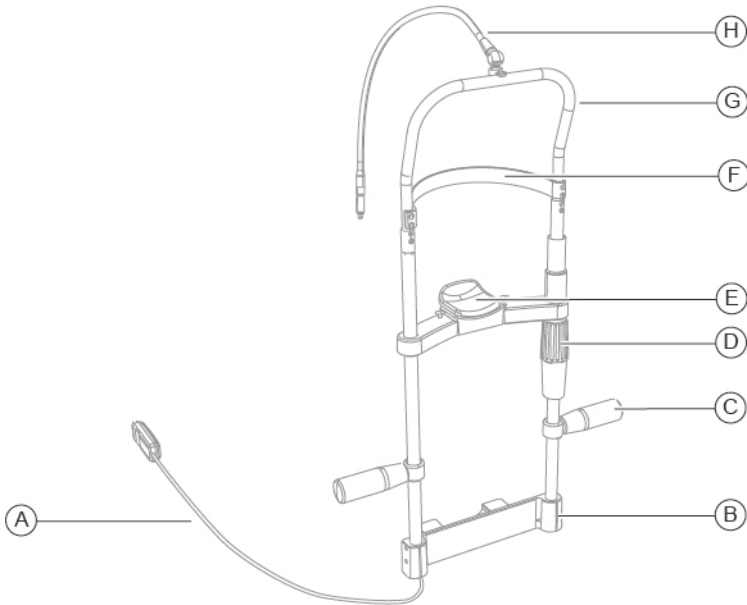


Fig 9 - Chin rest

Pos	Description
A	Connection cable for fixation point
B	Chin rest support
C	Handle
D	Knob
E	Chin cup
F	Forehead rest
G	Chin rest structure
H	Fixation point

3.1.4 ELECTRIC TABLE (OPTIONAL)

Different table models are available accordingly to the client's choice. The electric table is composed by a support surface on which are installed the cogged guides for the device housing. The table has one or two telescopic columns, motorized, that allow to adjust the height of the support plane.



Fig 10 - One column table



Fig 11 - Two columns table



Read the instructions for use of the electric table.

3.2 TECHNICAL DATA

Technical data	Value
Data transfer	USB 3.0
Mains power	External power supply 24 VCC. In: 100-240Vac - 50/60Hz - 0.9-05A Out: 24Vdc - 40W
Net cable	with C14 socket
Dimensions (Height x Length x Depth)	300x 400 x 410 mm
Weight	6 kg
Chin rest stroke	70 mm \pm 1
Minimum height of the chin cup from the working plan	23 cm
Base movement (x, y, z)	105 x 110 x 30 mm
Working distance	20 mm

Light sources

Technical data	Value
Auxiliary	Led @850nm
Flash	Led @450-650nm

Retinography

Technical data	Value
Spherical ametropia correction	from -20D to +10D (through handle placed on the joystick)
Image resolution	2448 x 2051 (5 MPixel)
Visual field	50° x 45°
Minimum pupil	2.5 mm
Compatibility with the standard	UNI EN ISO 10940:2009, DICOM (IHE integration profile EYECARE Workflow)
Fixation points	1 internal + 1 on the chin rest

4 DEVICE USE

4.1 HOW TO INSTALL THE DEVICE



CAUTION

Danger of device fall. The electric table must be installed on a horizontal and stable surface.

- 1 Place the electric table in the room. The electric table must be lifted by two people.
- 2 If present, block the table wheels. Lower the lever of the brake.
- 3 Place the power supply under the support plane. Screw the screws in the four holes.

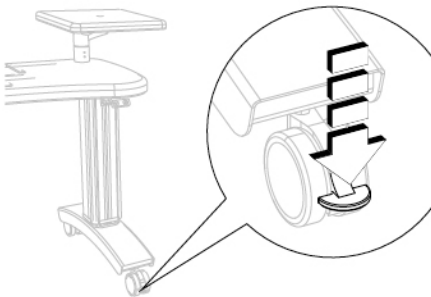


Fig 12 - Table placement

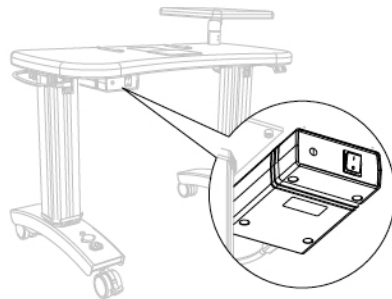


Fig 13 - Power supply placement

- 4 Place the device on the support surface on the cogged guides.
- 5 Block the two protection carters to the cogged wheels on the support plane.

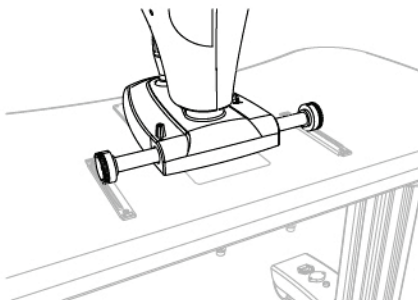


Fig 14 - How to place the device

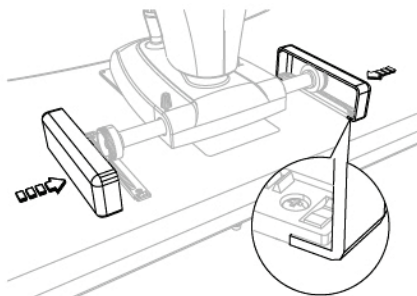


Fig 15 - Protection carters placement

- 6 Install the chin rest. Under the support plane, there are two screws to block the chin rest support to the support plane.
- 7 Carry out the electrical connection between the several components.

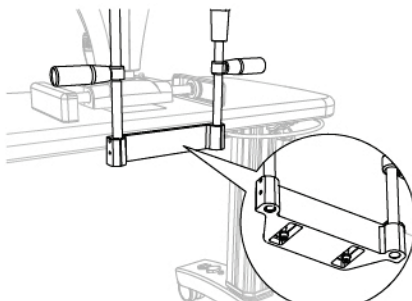


Fig 16 - Chin rest placement

4.2 HOW TO CONNECT THE DEVICE

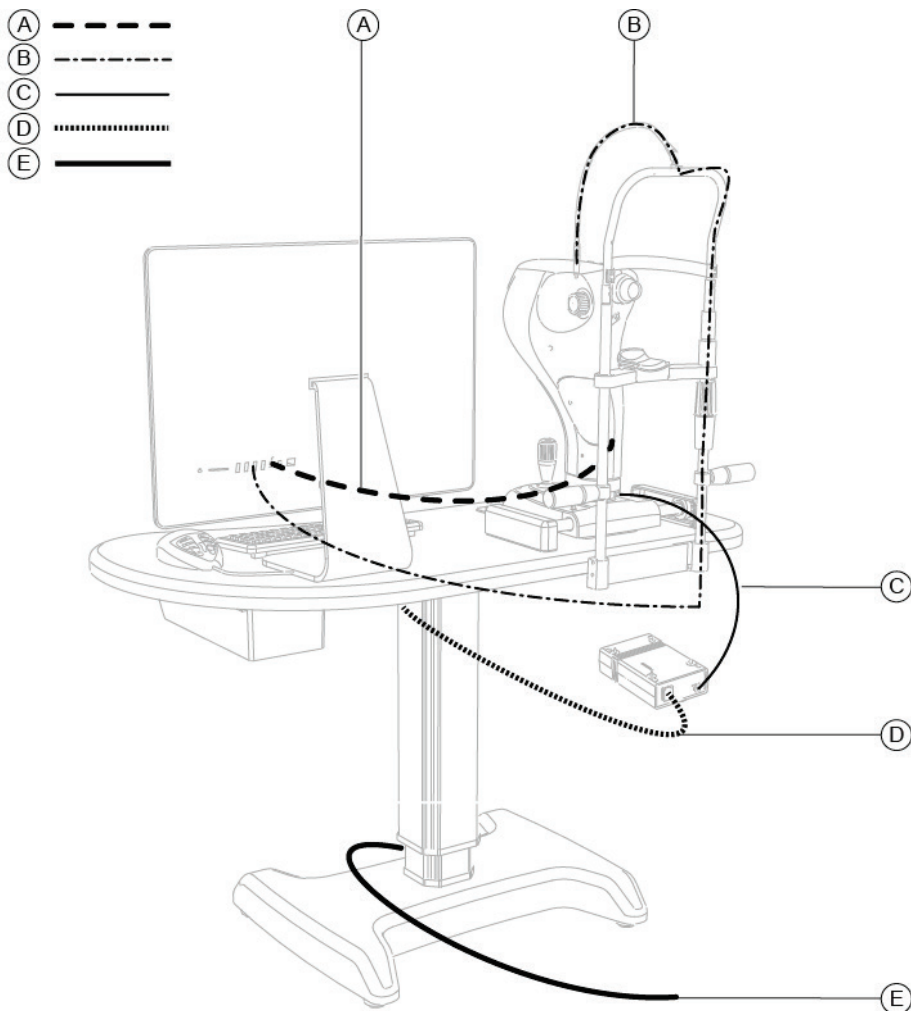


Fig 17 - Device connection

Pos Denomination

- A** USB 3.0 cable between device and PC
- B** Connection cable for fixation point on the chin rest
- C** Power cable for the connection between the power supply and the device
- D** Power cable for the connection of the electric table with the power supply
- E** Power cable for the connection of the electric table with the power supply

To connect the cable USB 3.0 and the device you need to open the protection carter on the front part of the device.

- 1 Unscrew the screw and remove the protection carter.
- 2 Connect the USB connector with the device.

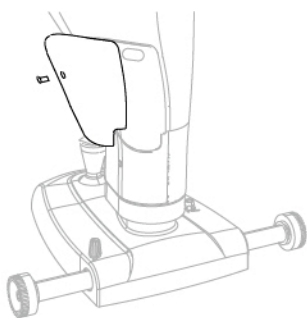


Fig 18 - Removing the carter

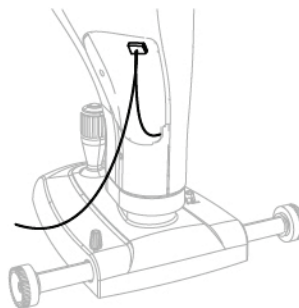


Fig 19 - Connection between device and USB cable

4.3 HOW TO PLACE THE ELECTRIC CABLES

**CAUTION**

Danger of device fall. Do not leave free cables which can represent an obstacle or a danger for the patient or the operator.

**CAUTION**

Danger of stumbling and falling. Do not let the power cord or the connection cables free in a place where people could walk.

**CAUTION**

Electric shock risk. Do not leave the power supply cables in contact with sharp corners or objects. Collect and attach always the power supply cables.



It is forbidden to use any extension cable not authorized by the manufacturer.

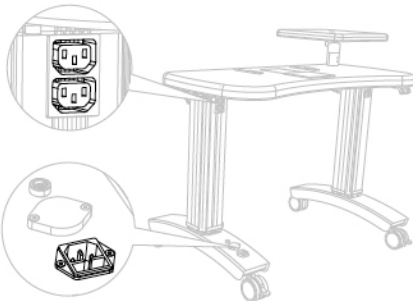


Fig 20 - Power sockets position

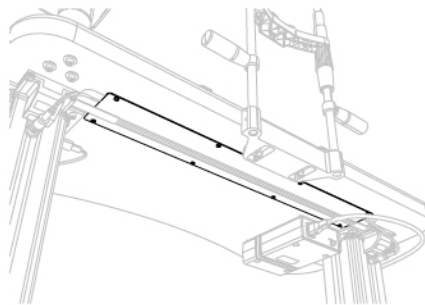


Fig 21 - Wireway



The power socket is on the column of the electric table, below, and it has to be used for the connection with the mains power. One of the power sockets on the column of the electric table, on top, is dedicated to the device power supply. Block the cables under the support surface with the cable rivets. If you have it, place the cables in the wireway under the support plane.

4.4 HOW TO TURN ON THE DEVICE

- 1 Turn on the PC.
- 2 Push the activation switch of the power supply on ON.
- 3 Launch the application software Phoenix.
- 4 Wait until the main screen of the application software is shown.
- 5 Click on NEW PATIENT and enter his personal data. If the patient is already present in the database, you can automatically search the surname in the surname command line.
- 6 A new examination will be created automatically.
- 7 Select the tool to use.
- 8 The image capture screen will open. Now it will be possible to capture the image.

Creation of a new exam

- Click on the button NEW EXAMINATION.
- Select the tool to use.
- The image capture screen will open. Now it will be possible to capture the image.

4.5 ADJUST THE CHIN REST

- 1 Tell the patient to take a seat.
- 2 Ask the patient to put the chin on the chin cup and the forehead against the forehead rest.
- 3 Verify the correct eyes position respectively to the shooting channel.

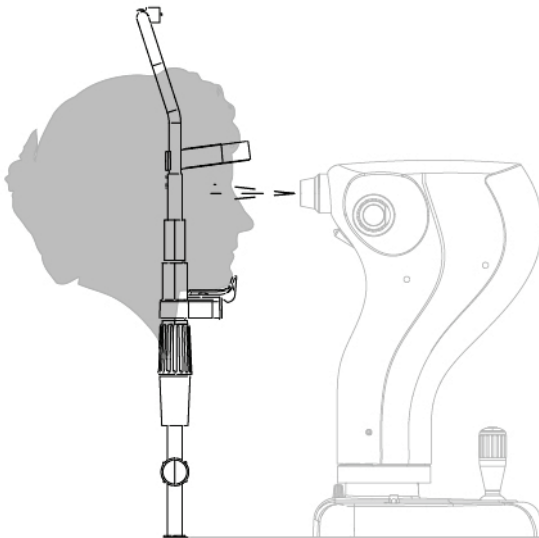


Fig 22 - Patient position on the chin rest

- 4 Lift or lower the chin cup as needed.

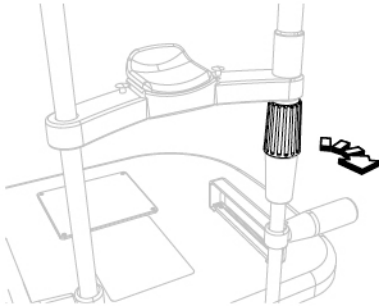


Fig 23 - Knob rotation

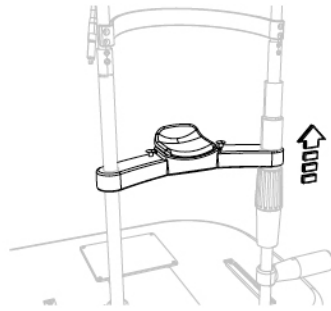


Fig 24 - Chin cup placement

4.6 HOW TO CAPTURE THE IMAGE

- 1 Turn the joystick and align the device with the patient's eye.
- 2 Move towards the eye with the tool and align with the retinal reflection until the image of the retina appears.
- 3 Slightly move the joystick in order to obtain the best condition of the image, for what it concerns the illumination homogeneity and the field wideness.

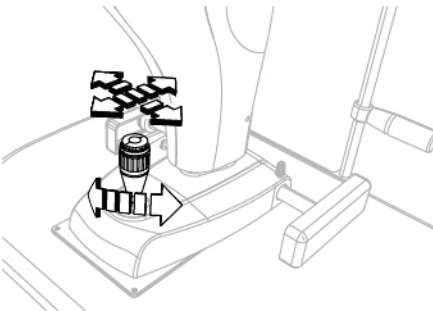


Fig 25 - How to place the device

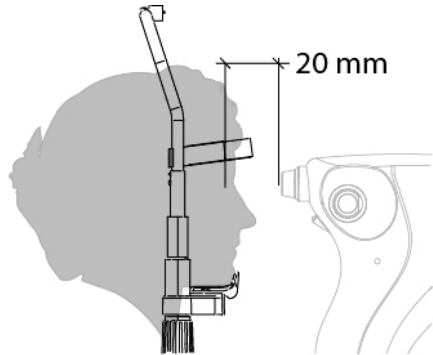


Fig 26 - Distance from the patient

- 4 Focus the image by means of the roller on the upper part of the device. Refer to the graphic indicator to focus the image.
- 5 Push down the joystick to confirm and capture the image. The image will be saved in the gallery.

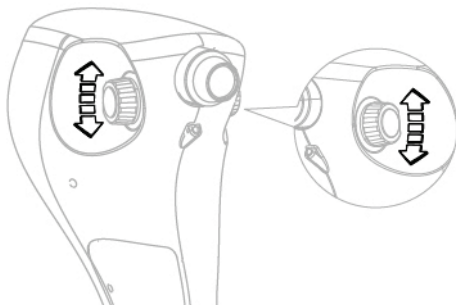


Fig 27 - Image focus

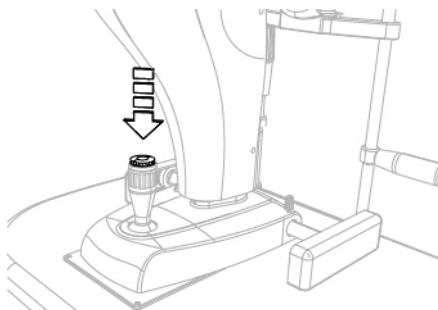


Fig 28 - Image capture



Refer to the application software instructions for the image managing in the database.

4.7 HOW TO CHANGE THE PAPER FOR CHIN CUP



At the end of each exam remove the paper for chin cup in order to always have a new and hygienic one for the next patient.

This device is provided with a package of paper for chin cup. When you use the last paper change the package.

- 1 Extract the two plastic rivets
- 2 Place the new package of paper for chin cup
- 3 Insert the plastic rivets in the holes of the package and in the holes of the chin cup.

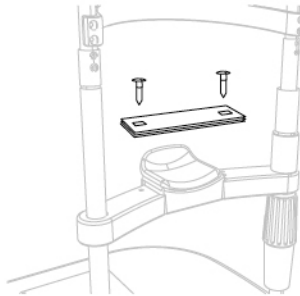


Fig 29 - How to change the papers for chin cup



To order the spare package see the code in the "**Spare parts list page 43**"

4.8 HOW TO TURN OFF THE DEVICE



CAUTION

Do not turn off the computer and do not disconnect the connection cable between the computer and the device when the program is in use.

- 1 Immobilize the device. Turn the locking knob.
- 2 Exit the images management systems program. Turn off the computer
- 3 Push the activation switch of the power supply on OFF.
- 4 Place the protective cover on the device to prevent dust to fall on the device.

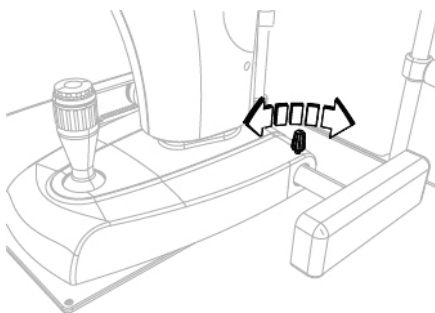


Fig 30 - Device blocking

5 ORDINARY MAINTENANCE

5.1 SAFETY WARNINGS



DANGER

Electric shock danger. Unplug the power cable from the mains socket before disinfecting the device and before any maintenance operation.



CAUTION

The device does not contain any piece that requires the user's intervention. Do not dismantle any part of the device.



it is forbidden to carry out any maintenance operation on the device that is not recalled in instructions for use.



In case of operational faults or malfunctions or for every operation not mentioned in the instructions for use, there is the obligation to address an authorized technical assistance center of the device Manufacturer.

5.2 DEVICE CLEANING

Clean the external parts of the device using a damp non-abrasive cloth to avoid damaging the material.



CAUTION

Danger of material damages. Do not use solvents or diluent to clean the device.

5.3 SPARE PARTS AND ACCESSORIES LIST

Code	Description
30010071D3F	Power supply cable
10101300	Isolation transformer 230V/230V. Power supply cable 800 VA (maximum charge)
4014020	Package of paper for chin cup (50 pieces)
4013095	Protective cover
103301800	Table top 45x90 mm
10070144	Electric support plane with one column (230 V, 50 Hz)
33071095	Power supply cable for electric support (95 cm)
103103900	PSP2402 input 100-240 V AC 50/60 Hz max 0,9 A output 24 VDC 2 A
100104700	Chin rest for the table top
300409135	Power supply cable 1,5 m
3020804	USB 3.0 Cable 2 m

5.4 TROUBLESHOOTING

Inconvenient	Cause	Solution	Note
The device does not switch on	Power cable not connected with the power supply	Connect the power cable of the device to the power supply Press the switch on of the device.	If the device is powered through the auxiliary power supply of the table, check the connection of the table to the power line. Check the functioning of the table fuses.
The PC does not start	Power cable not connected with the power supply	Connect the power cable to the power supply. Push the button of the power supply on ON. Replace the PC.	Make sure the power outlet of the room works properly.
PC Operating system does not start	Hard Disk failure. Spoiled operating system	Replace the Hard Disk. Reinstall the operating system. Replace the PC.	Make sure the New PC features are equivalent to those required by the device.

Inconvenient	Cause	Solution	Note
The application software Phoenix does not start	Hard Disk failure. The anti virus software impedes the starting of the application software Phoenix. Operating system failure. The application software Phoenix does not work properly.	Replace the Hard Disk. Check the settings of the anti virus software. Reinstall the operating system. Reinstall the application software Phoenix.	Contact the Technical Assistance Center. The installation of the application software Phoenix needs the administrator privileges.
	The connection cable between device and PC does not work properly. The anti virus software interferes with the drivers of the application software Phoenix. The application software Phoenix is installed as local user	Unplug and plug in again the connection cable between device and PC. Replace the connection cable between device and PC. Uninstall the anti virus software. Reinstall the application software Phoenix.	The installation of the application software Phoenix needs the administrator privileges.

Inconvenient	Cause	Solution	Note
The mouse of the PC does not work	<p>Connection cable with the PC disconnected.</p> <p>Mouse switch in position OFF. The mouse batteries are down (only for wireless mouse)</p>	<p>Check that the mouse connection cable properly fit in USB port. Switch the mouse button in position ON.</p> <p>Replace mouse batteries (only for wireless mouse).</p>	<p>From the control panel of the PC, check that there are no devices conflicts.</p>
The keyboard of the PC does not work	<p>Connection cable with the PC disconnected.</p> <p>Keyboard switch in position OFF. The keyboard batteries are down (only for wireless keyboard)</p>	<p>Check that the keyboard connection cable properly fit in USB port. Switch the keyboard button in position ON.</p> <p>Replace keyboard batteries (only for wireless keyboard).</p>	<p>From the control panel of the PC, check that there are no devices conflicts.</p>

Inconvenient	Cause	Solution	Note
The images can't be saved in the database	The database is not connected with the application software Phoenix. Power connection absent. The USB cable does not work	Verify that in the configuration screen of the database is specified the correct path to the "phoenix.mdb" file. Restore the connection to the database file. Check the functioning of the net connection. Replace the USB cable.	Regularly verify the connections with the data net.
Failed image capture	The patient moved or closed the eyes during the capture	Ask the patient to keep the eyes open, look the fixation light and not to move the eyes.	
Failed image focus	Presence of dust or grease on the optical parts of the device.	Clean the surface of optical parts with a soft cloth.	Make sure the patient does not touch the optical parts.

Inconvenient	Cause	Solution	Note
Missing acknowledgment of eye position left / right position by the device	Missing installation of black sticker below the base of the device. Fault of positioning detector	Install the black sticker below the base of the device.	Some colors and material of the table top may not reflect the infrared light. Move a white paper below the base of the device to check the functioning of the positioning detector.
Device movement difficulties (ahead, back, left, right)	The joystick plastic protection has not been removed from the base during the installation. Device blocking knob is fastened	Remove the joystick plastic protection from the base. Loosen the device blocking knob.	Before starting the exam check that the device blocking knob is loosened.



COSTRUZIONE STRUMENTI OFTALMICI

Via degli Stagnacci 12/E | 50018 Scandicci (FI) | ITALY
phone: +39 055 722191 | fax: +39 055 721557

cso@csoitalia.it | www.csoitalia.it